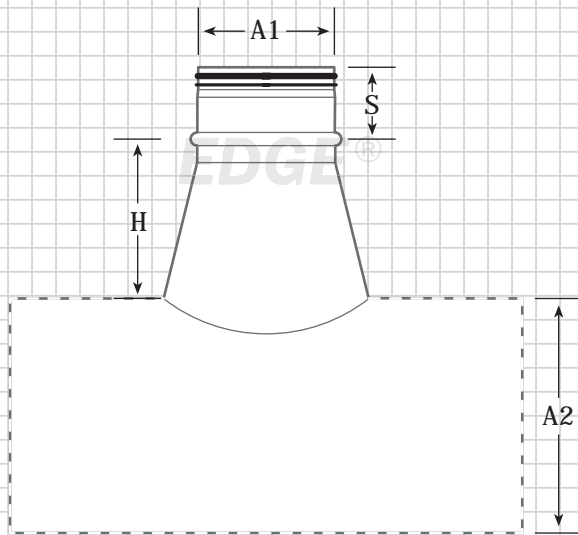
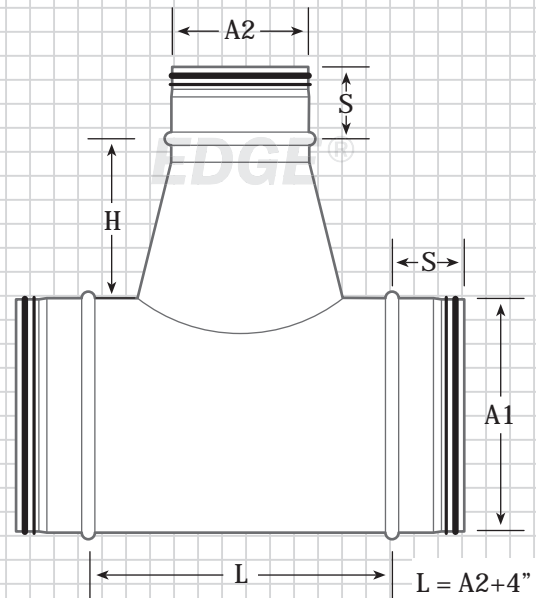


Gasket 90° Conical (GC)

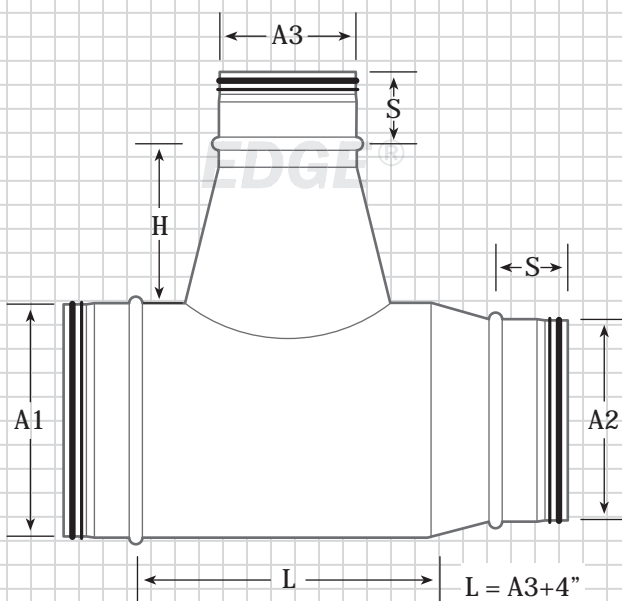


* Field installed fitting

Gasket 90° Conical Tee (GCT)



Gasket 90° Conical Reducing Tee (GCRT)



Key (GC)

Sizes Available for A1 & A2:
 4" - 10" (all sizes), 12" - 36" (even sizes only)
 A2 is greater than A1
 S = 2"
 H = 6"

Key (GCT)

Sizes Available for A1 & A2:
 4" - 10" (all sizes), 12" - 36" (even sizes only)
 A1 is greater than A2
 S = 2"
 H = 5-1/4"

Key (GCRT)

Sizes Available for A1, A2 & A3:
 4" - 10" (all sizes), 12" - 36" (even sizes only)
 A1 is greater than A3
 A2 is less than A1
 S = 2"
 H = 5-1/4"